

# MPC225-851-FL

22" TFT Fanless Super Slim Medical Grade Panel Computer with Intel® Core™2 Duo Processor up to 2.53 GHz

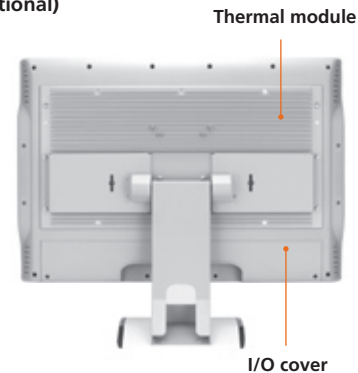
*New*



## Features



- ▶ 22" high brightness (300 nits) SXGA TFT LCD
- ▶ Fanless LV Intel® Core™2 Duo or Intel® Celeron® M processor
- ▶ Medical grade for e-healthcare terminal application
- ▶ UL60601-1/EN60601-1, CE & FCC class B certified
- ▶ Spill and dust resistant (front panel: IP65, whole enclosure: IPx1)
- ▶ Built-in CD-ROM drive or combo drive (for MPC225-851-FL-AC-CD)
- ▶ 1 PCI or PCIe x4 expansion slot (for MPC225-851-FL-AC-PCI or MPC225-851-FL-AC-PCIe)
- ▶ Built-in bluetooth (optional)
- ▶ Built-in RFID reader (optional)
- ▶ Built-in 1.3 mega pixels camera
- ▶ Built-in internal wireless (802.11 b/g) antenna (optional)



## Introduction

The MPC225-851-FL is a 22-inch ultra slim medical-grade panel computer, which supports a low power Intel® Core™2 Duo processor with up to 8 GB of dual-channel DDR3 system memory. Powered by the Mobile Intel® GM45 Express chipset with integrated mobile Intel® GMA 4500MHD, it offers excellent 3D graphics and dual-view capability. This medical panel computer is certified with medical certifications to meet medical grade approval standards. The fanless design and waterproof enclosure allow it to operate reliably and quietly. With only 76 mm in thickness, it can be applied in any medical

environments. The MPC225-851-FL supports a PCI or PCIe interface for expansion flexibility and an internal antenna for wireless expansion. With a built-in 1.3 mega pixels camera and speakers, this durable panel computer is also the best compact solutions for VoIP and remote monitoring. Furthermore, it supports one 2.5" HDD and a CD-ROM. This safe, reliable and user-friendly medical panel computer can ensure customer's project success and best suited for eHealthcare, Point of Care, and telemedicine.

## Specifications

Front Bezel	Plastic ABS	
LCD Panel	Display Type	22" WSXGA TFT
	Brightness (cd/m <sup>2</sup> )	300 nits
	Resolution	1680 x 1050
	Viewing Angle (H/V)	178°/178°

Main System	CPU	Fanless LV Intel® Core™2 Duo or Intel® Celeron® M processor
	Chipset	Intel® GM45+ICH9M
	System Memory	Supports 2 x DDR3 SO-DIMM memory up to 8GB
	Storage	Supports 1 x 2.5" SATA HDD 1 x CompactFlash™
	Optional Drive	1 x compact 24X CD-ROM or 8X/24X combo drive (for MPC225-851-FL-AC-CD)
	Watchdog Timer	255 levels, 0-255 sec.

I/O Connectors	2 x RS-232 (COM 1/2) 4 x USB 2.0 1 x Audio 2 x 10/100/1000Mbps Ethernet 1 x DVI-I
Expansion Interface	1 x PCI or PCIe x4 slot (for MPC225-851-FL-AC-PCI or MPC225-851-FL-AC-PCle)
Camera	1 x 1.3 mega pixels camera
Touchscreen	Resistive type Light transmission: 80% Touch life 35 million touches
Power Supply	External 24V AC/DC medical grade power adapter
Dimensions	TBD
Weight (net/gross)	TBD
Environmental	Operation temperature: 0°C - 40°C (32°F -104°F ) Relative humidity: 10% ~ 95%, non-condensing Shock: 10G peak acceleration (11 sec. duration)
Certification	CE, FCC class B, EN60601-1, UL60601-1

## Ordering Information

MPC225-851-FL-AC-CD	22" TFT fanless medical grade panel computer with resistive T/S and slim CD-ROM
MPC225-851-FL-AC-PCI	22" TFT fanless medical grade panel computer with resistive T/S, PCI expansion, w/o CD-ROM
MPC225-851-FL-AC-PCle	22" TFT fanless medical grade panel computer with resistive T/S, PCIe x4 expansion, w/o CD-ROM

\*Specifications and certifications are limited to optional.

## Optional Accessories

VM-105	VESA ARM (wall-mount type)
VM-101	VESA ARM (clamp type)
Stand kit	



Slim design

Medical Panel Computers

Medical Grade Monitors

PANEL2000 Slim Client Panel Computers